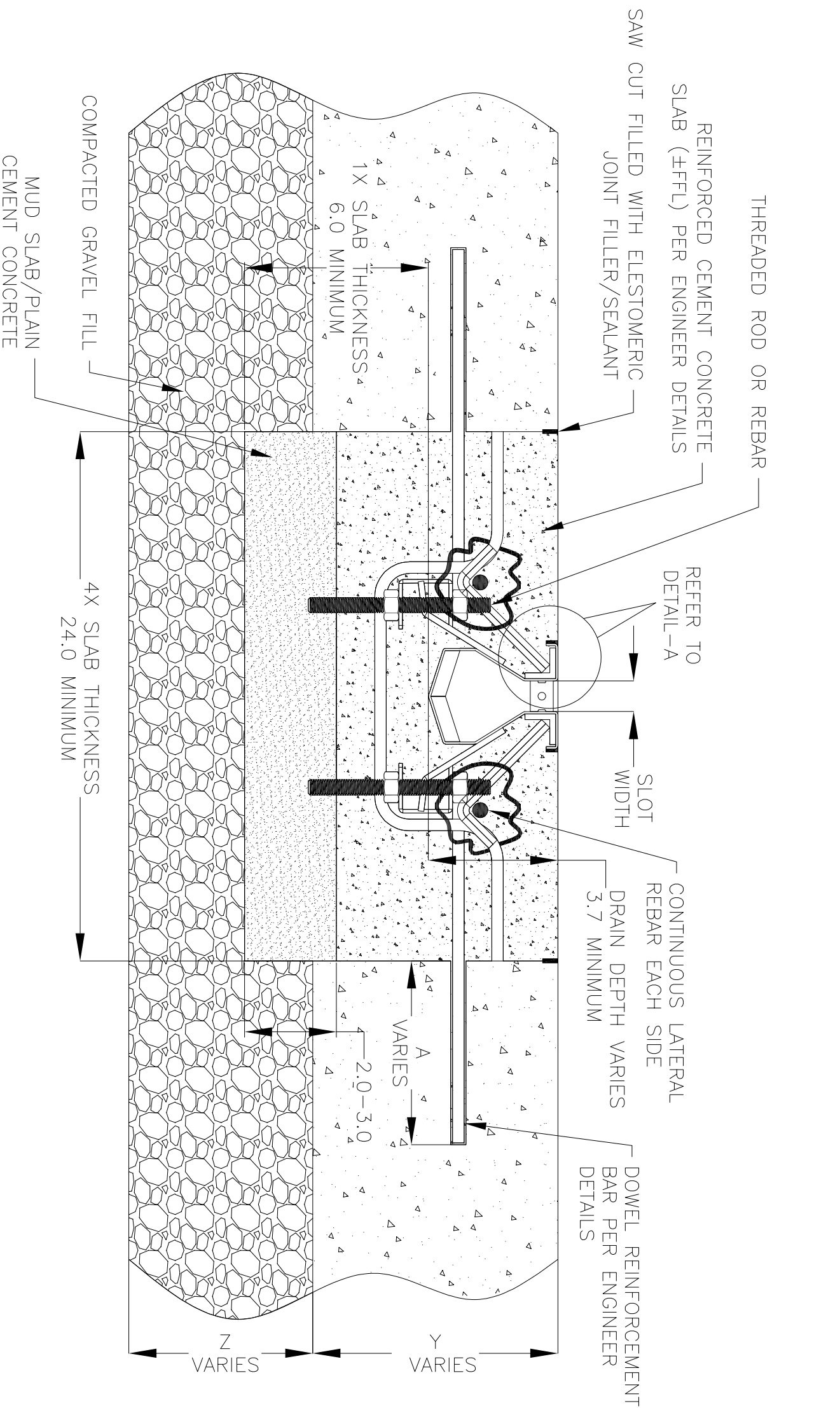


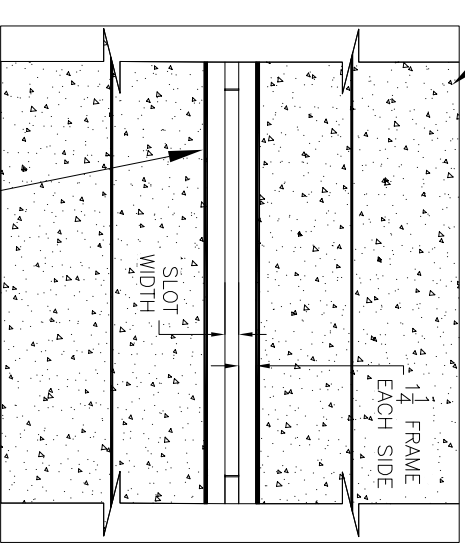
NOTES: UNLESS OTHERWISE SPECIFIED

1. ALL DIMENSIONS ARE IN INCHES.
2. DRAIN BODY MATERIAL: 14GA STAINLESS STEEL T304/T316
3. SPECIFYING ENGINEER IS RESPONSIBLE FOR CONCRETE ENGAGEMENT AND REINFORCING BASED UPON APPLICATION AND LOCAL CODES.
4. REFER TO <https://info.slotdrainsystems.com/installresources> FOR INSTALLATION INSTRUCTIONS.

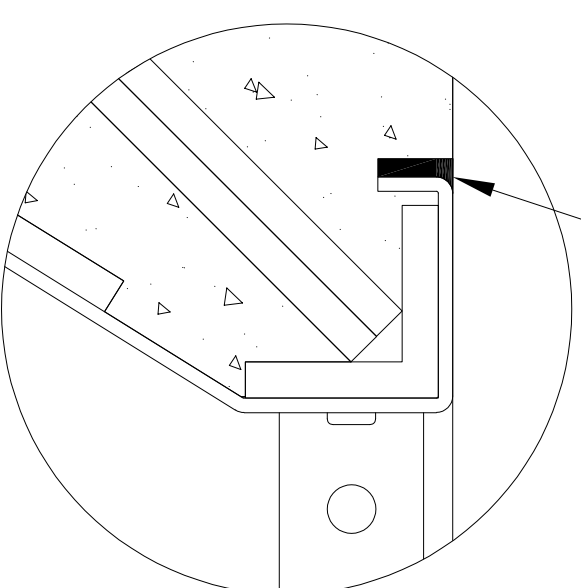


6000PR SERIES SLOT DRAIN INSTALLATION DETAILS

REINFORCED CEMENT CONCRETE SLAB (±FFL) PER ENGINEER DETAILS



PLAN VIEW



DETAIL-A

REVISIONS

| REV | DESCRIPTION | DATE | BY |
|-----|------------------------------------|-----------|----|
| 0 | INITIAL RELEASE - RO | 12/2/2020 | DK |
| 1 | UPDATED THE REBAR DETAILS | 7/14/2021 | DK |
| 2 | UPDATED WITH GLOBAL DRAIN TEMPLATE | 3/19/2024 | DK |



DRAWING TITLE
CONCRETE FLOOR-RETROFIT INSTALLATION

DRAIN SERIES
6000PR SERIES SLOT DRAIN

| DWG NO. | SIZE | SCALE | SHEET |
|--------------------|------|-------|--------|
| IN-SD6000PR-101-R2 | B | NTS | 1 OF 1 |

ALL DRAWINGS ARE THE EXCLUSIVE PROPERTY OF SLOT DRAIN SYSTEMS. ANY REPRODUCTION IN PART OR IN WHOLE IS PROHIBITED WITHOUT PROPER CONSENT.